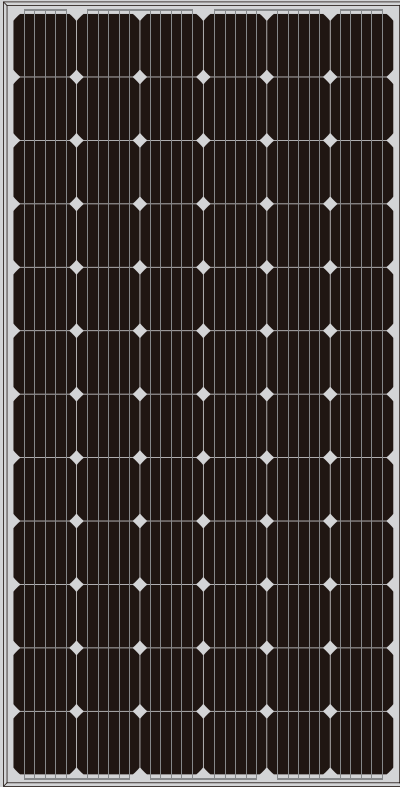


MONOCRYSTALLINE SILICON MODULE



10 years products warranty

25 year power output warranty

Address: Floor 17-18th, No.4 Building Zhuyu International Commercial. Center, No.9 Shouti South Road, Haidian District, Beijing 100048, China

Tel: +86-10-68796522

Fax: +86-10-68796522

E-mail: sales@cnbmsolar.com

Website: www.cnbmsolar.com

Solar Panel Energy

sales@solarpanelenergy.co.za

www.solarpanelenergy.co.za

Proud to be suppliers of CNBM Solar panels in South Africa.

6M-330 6M -335 6M -340

6M -345 6M -350 6M-355 6M-360

MONOCRYSTALLINE SILICON MODULE

Products Characteristics



Widely using of the most popular and mature type of modules for on-grid system.



Leading manufacturing technology in PV industry, strictly controlling the quality of raw materials and the process of producing



100% EL inspection, ensures modules are defects free.



Cells binned by current to improve module performance



Anti reflective glass. Not only to increase the light absorption, but also to make the module has the function of self-cleaning in water environment, effectively reducing the power loss caused by dust.



Outstanding performance in low-light irradiance environments.



Excellent mechanical load resistance: Certified to withstand high wind loads(2400pa) and snow loads(5400pa).



High salt and ammonia resistance



Positive power tolerance: 0~+5w

Warranty

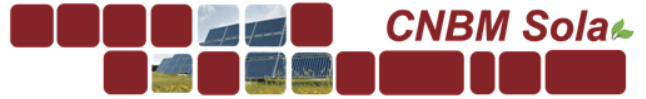
- 10 years product warranty
- 10-years 90% of Min. rated output power, and 25-years 80% of Min. rated output power warranty

Comprehensive Certificates

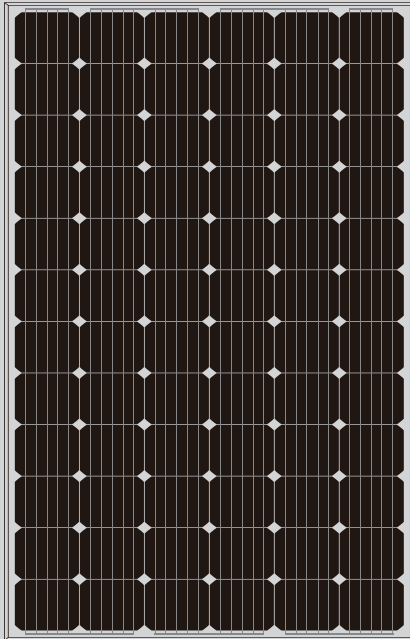
- ISO Certificate
- IEC61215、IEC61730 Certificate
- SGS-TUV Certificate
- CE Certificate

Specifications subject to technology and test conditions,

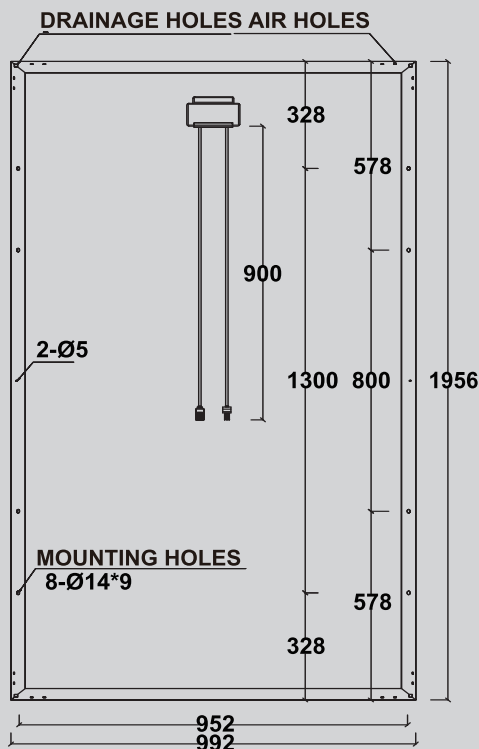
6M-330 6M-335 6M-340 6M-345 6M-350 6M-355 6M-360



Engineering Drawings (Front Side)



Engineering Drawings (Back Side)



Address: Floor 17-18th, No.4 Building Zhuyu International Commercial Center, No.9 Shouti South Road, Haidian District, Beijing 100048, China
Tel: +86-10-68796522
Fax: +86-10-68796522
E-mail: sales@cnbmsolar.com
Website: www.cnbmsolar.com

Raw materials and Mechanical Parameters

	6M-330	6M-335	6M-340	6M-345	6M-350	6M-355	6M-360
Type of Cells(mm)	mono156.75 × 156.75						
NO. of Cells and Connections	6 × 12=72						
Dimensions(mm)(L*W*H)	1956 × 992 × 40						
Weight(kg)	23.2						
Glass	3.2mm Tempered Glass						
Encapsulation	EVA						
Backsheet	Multilayer Composite						
Aluminium-Frame	Silvery/Black Anodized aluminium alloy						
Junction-Box	IP65/IP67						
Cable	4mm ² ,900mm						
Connector	MC4 and MC4 Compatible						
Package Configuration	26pcs/pallet						
40GP	624pcs						
40HQ	672pcs						

Performance Parameters

	6M-330	6M-335	6M-340	6M-345	6M-350	6M-355	6M-360
Maximum System Voltage	1000V						
Operating Temperature	-45~+80°C						
Maximum Series Fuse	10A						
Maximum Static Load,Front Side (e.x. Snow,Wind)	5400Pa						
Maximum Static Load, Back Side(e.x. Wind)	2400Pa						
Application Grade	Class A						

Electrical Parameters (Standard Test Condition)

	6M-330	6M-335	6M-340	6M-345	6M-350	6M-355	6M-360
Rated Maximum Power(Mp)	330W	335W	340W	345W	350W	355W	360W
Power Tolerance	0- +5W						
Module Efficiency	17.01%	17.26%	17.52%	17.78%	18.04%	18.30%	18.55%
Open Circuit Voltage(Voc)	47.3V	47.6V	47.8	48.0V	48.1V	48.3V	48.6V
Maximum Power Voltage(Vmp)	38.4V	38.6V	38.8V	38.9V	39.0V	39.2V	39.3V
Short Circuit Current(Isc)	9.11A	9.20A	9.29A	9.40A	9.51A	9.60A	9.70A
Maximum Power Current(Imp)	8.59A	8.68A	8.76A	8.87A	8.97A	9.06A	9.16A
Temperature Coefficient of Isc	+0.06%						
Temperature Coefficient of Voc	-0.32%						
Temperature Coefficient of Pmp	-0.45%						
Standard Test Condition	Irradiance:1000W/M2,Cell Temperature:25°C,Spectrum AM:1.5						

The Electrical Parameters of the module are the average theory figure under the standard test condition, each one exists difference. Can not be treated as the basis of module delivery.